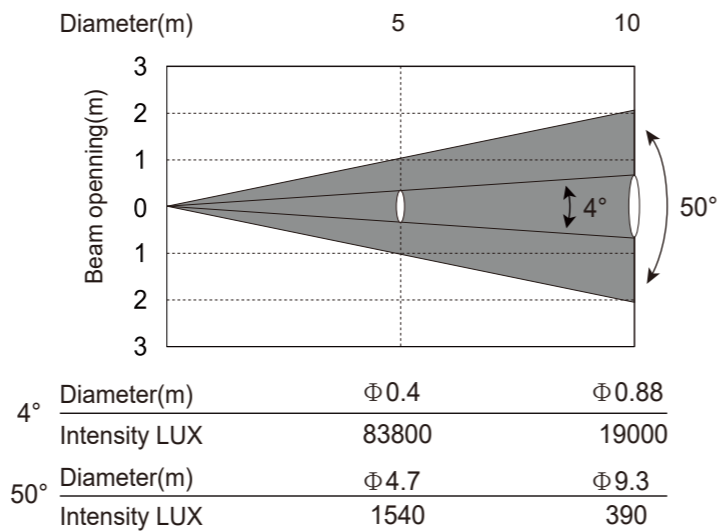


A600SH

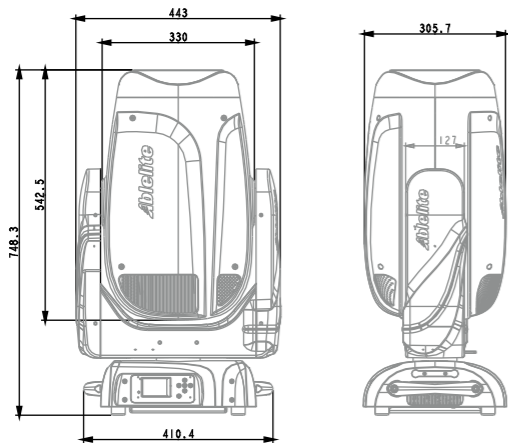
SPOT/BEAM/WASH/profile-4in1 Moving head



Beam Angle: 4° - 50°



Dimension (mm)



- 35.7kg
- 748x443x305mm
- 50kgs

SPECIFICATION:

Source

- _ Light source: Advanced 640w white led
- _ Led life: 20.000 hours
- _ Luminous Flux: 83800 lux@5m
- _ Control: Remote on/off via DMX
- _ Ballast: switching mode power supply

Optical System

- _ Beam angle: 4° to 50°

X/Y

- _ Pan: 540°(4.4 sec),Tilt: 267° (4 sec)
- _ 16-bit resolution
- _ Auto repositioning

Colors

- _ Linear CMY+CTO
- _ 8+open, interchangeable, indexable and bidirectional rainbow effect
- _ Color bounce

Gobos

- _ Outside ∅30mm, inside ∅20mm
- _ 7+open custom interchangeable position for rotating gobo wheel
- _ 8+open fixed gobos
- _ Real indexable and gobo shaking
- _ Distinctive gobo animation effect

Features

- _ DMX channels: 38
- _ Linear CMY+CTO
- _ Motorized auto focus
- _ Full range 0-100% dimmer
- _ Various strobe
- _ Rotating 3 facets prism
- _ Frost
- _ Fast speed iris
- _ Beam from 4° to 50°
- _ 4 individually positionable Shutter blades rotating +/- 45°
- _ RDM function to change DMX address, display flip, X/Y Reverse and so on
- _ Software upgrade via DMX
- _ Hibernation when lost DMX for preset time
- _ Indicate temperature info of base, arm
- _ Fan speed auto change according to temperature

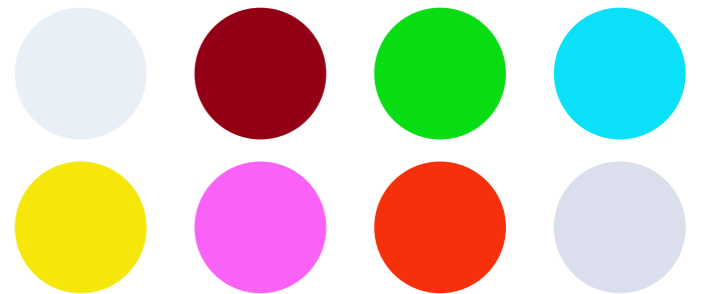
Display

- _ 2.4inch super nice LCD display
- _ Auto lock
- _ Flip
- _ Back-up communicating IC

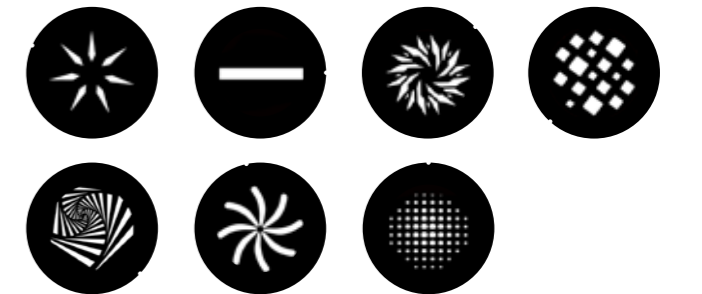
Power

- _ Max power consumption: 866W
- _ Powercon in , 3+5 pins DMX
- _ Power supply: Electronic auto-ranging
- _ Input voltage range: 100-240V, 50-60Hz

Color Wheel



Rotating Gobo Wheel



Static Gobo Wheel

